

GENERAL:

The surface drainage system shall be 2000 T-Series Elevator Threshold Drain complete with slotted linear trench opening as manufactured by Slot Drain Systems.

LOAD CLASS: A

OUTLET: 4" SCH10 Center Bottom

SLOPE: Neutral

DESIGN FEATURES:

- Material: T304, T316 Stainless Steel
- Slot Opening: 2 13/16" Total
- End: End Cap
- Thickness: 16GA
- Section Lengths: 3' (36") Minimum, 3' 6", 4'
- Custom Lengths Available
- Lockable Heel Proof Insert
- Adjustable Grate Height

FLOW RATE:

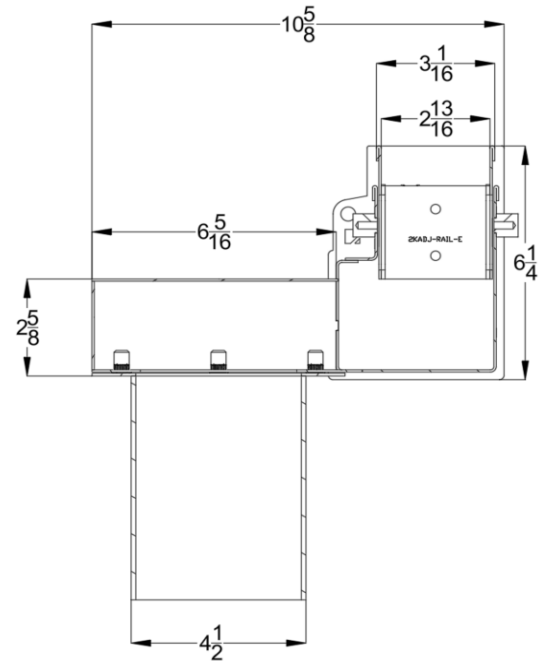
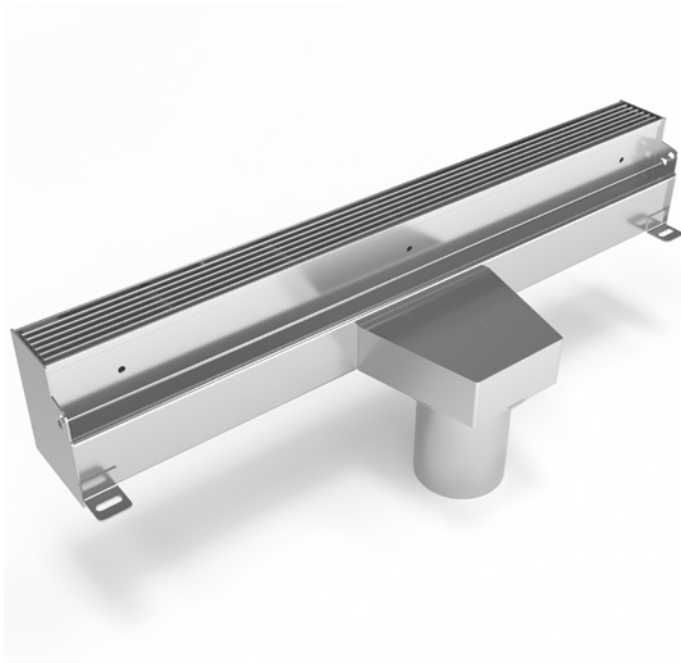
Flow rate dependent on grate style.
See table below.

THIS DRAIN CONFIGURATION COMPLIES WITH:

- ASME A112.6.3/CSA B79.3
- NYC BC 403.6.1, BC 3007.3
- California Building Code 403.6.1, 403.6.2, 3007.4, 3008.4
- San Fransico Fire Code, Section 511.1.4

INSTALLATION:

The 2000 T-Series Elevator Threshold Drain shall be installed in accordance with the manufacturer's installation instructions and recommendations.

TYPICAL PROFILE OF A 2000 T-SERIES ELEVATOR THRESHOLD DRAIN


| DRAIN CHANNELS DESCRIPTION | PART NUMBER | INVERT SHALLOW (INCHES) | INVERT DEEP (INCHES) |
|--|--------------------|-------------------------|----------------------|
| 2000 T-SERIES ELEVATOR THRESHOLD DRAIN - 3' SECTION | SD25091T-101C36B4A | 6 | 6 |
| 2000 T-SERIES ELEVATOR THRESHOLD DRAIN - 3'-6" SECTION | SD25091T-101C42B4A | 6 | 6 |
| 2000 T-SERIES ELEVATOR THRESHOLD DRAIN - 4' SECTION | SD25091T-101C48B4A | 6 | 6 |

| GRATE OPTIONS | FLOW RATE PER FOOT OF DRAIN | FLOW RATE PER 3' OF DRAIN |
|---------------|-----------------------------|---------------------------|
| BAR | 38 gpm | 100 gpm |
| ANGLE | 38 gpm | 100 gpm |
| WEAVE | 38 gpm | 100 gpm |
| FLOW | 20 gpm | 60 gpm |

NOTE: Default slot opening for 36" long drain is 2 13/16". Length customizations available based on project requirements. Default end caps welded to drain body. Color options available. Neutral Drain System.

Specifying engineer is responsible for concrete encasement and reinforcing based upon application and local codes. Global Drain Technologies reserves the right to change the product and specifications without notice.