



STERLING

Steam Control Products Steam Specialties Price Catalog

List Prices

Effective:
January 1, 2024

Supersedes:
January 1, 2023



Sterleo[®]



ORDERING INFORMATION

Warranty:

Sterling warrants all equipment manufactured by it to be free from defects in workmanship and material when used under recommended conditions. The Company's obligation is limited to repair or replace (FOB the factory) any parts for a period of 12 months from initial start-up, which in the Company's opinion, are defective.

Effective 10/15/2021, Cast Iron & Stainless-Steel tanks/receivers (up to 120 gallons) will carry a 25-year warranty from date of shipment against failure due to corrosion as long as it has been used in accordance with recommended conditions. Sterling has the authority to further analyze and provide the final determination on each warranty claim.

Note: this 25-year warranty covers the tank/receiver only and not the entire unit and does not apply to Steel tanks/receivers. Sterling has the authority to change this warranty agreement at any point in time.

This warranty does not cover any labor charges for replacement of parts, adjustment, repairs, or any other work. This warranty does not apply to any equipment which, in the Company's opinion, has been subjected to misuse, negligence, or operation in excess of recommended limits, including freezing or which has been repaired or altered without the Company's express authorization. If the serial number has been defaced or removed from the component, the warranty on that component is void. Defective parts become the property of the warrantor and are to be returned.

The Company is not liable for any incidental, consequential, or special damages or expenses. The Company's obligation for parts not furnished as components of its manufactured equipment is limited to the warranty of the manufacturers of said parts. The company neither assumes nor authorizes any other persons to assume for it any liability in connection with the sale of its equipment not expressed in this warranty.

Tax:

Any sales, use, excise, or other tax incident to the replacement of parts under this warranty is the responsibility of the purchaser.

Returned Goods:

A **RETURN MATERIAL AUTHORIZATION NUMBER** must accompany all returns. This number should appear on the carton(s) being returned and on the packing slip. Use of our **RETURN MATERIAL AUTHORIZATION NUMBER** will assure prompt attention and immediate processing of your request and merchandise. All shipments are to be sent freight prepaid. To obtain a **RETURN MATERIAL AUTHORIZATION NUMBER** call (262) 641-3808. Restocking charges are dependent on the material being received in good condition and whether we normally carry it in stock. All returns carry a minimum restocking charge of 25 percent.

Cancellation Charges:

After orders are accepted by us they can be cancelled only by written notice to Sterling, New Berlin, WI, and upon terms that will compensate us for any losses that may occur as a result of the cancellation.

Agreements:

All agreements are subject to written acceptance by our home office in New Berlin, WI, and are contingent upon strikes, accidents, fires and other causes beyond our control.

Minimum Billing/Terms of Payment:

\$100/Net 30 days

Freight Charges:

Prices on all products are F.O.B. our factory.

ALL PRICES AND DATA ARE SUBJECT TO CHANGE WITHOUT NOTICE.

Table of Contents

<u>Y- Strainers</u>	1
<u>Hand Radiator Valves</u>	2
<u>Thermostatic Steam Traps</u>	3
<u>Thermostatic Steam Trap Parts</u>	4-5
<u>Float and Thermostatic Steam Traps (Model FT-90,69/92, 94/94HC, 96 Series)</u>	6-11
<u>Float and Thermostatic Steam Trap Parts</u>	12-18
<u>Inverted Bucket Steam Traps (Model 900 Series)</u>	19
<u>Inverted Bucket Steam Trap Parts</u>	20



Y Strainers

Tel (262) 641-3808 · SterlcoSteam.com · Effective: January 1, 2024 · Supersedes: January 1, 2023

BRASS THREADED “Y” STRAINER (40-Mesh Stainless Steel Wire Screen)

SIZE	MODEL NUMBER	PART NUMBER	LIST PRICE	SHIPPING WEIGHT IN POUNDS
3/8"	18-Y	161.00154.00	\$77	1
1/2"	18-Y	161.00145.00	\$110	1
3/4"	18-Y	161.00146.00	\$119	1
1"	18-Y	161.00147.00	\$167	1 1/2
1-1/4"	18-Y	161.00148.00	\$220	2 1/2
1-1/2"	18-Y	161.00149.00	\$324	3 1/2
2"	18-Y	161.00150.00	\$382	5 1/2
2-1/2"	18-Y	161.00151.00	\$923	9
3"	18-Y	161.00152.00	\$987	14

CAST IRON THREADED “Y” STRAINER (20-Mesh Stainless Steel Wire Screen for sizes 1/2” to 2” ; Stainless Steel Screen – 3/64” Diameter Perforations for sizes 2-1/2” and 3”)

SIZE	MODEL NUMBER	PART NUMBER	LIST PRICE	SHIPPING WEIGHT IN POUNDS
1/2"	20-Y	161.00134.00	\$44	1 3/4
3/4"	20-Y	161.00135.00	\$58	2 1/2
1"	20-Y	161.00136.00	\$81	4
1-1/4"	20-Y	161.00137.00	\$85	7
1-1/2"	20-Y	161.00138.00	\$163	8 1/4
2"	20-Y	161.00139.00	\$212	13
2-1/2"	20-Y	161.00140.00	\$587	24
3"	20-Y	161.00141.00	\$702	32

CAST IRON FLANGED “Y” STRAINER (Stainless Steel Screen – 1/16” Diameter Perforations)

SIZE	MODEL NUMBER	PART NUMBER	LIST PRICE	SHIPPING WEIGHT IN POUNDS
2"	20-Y	161.00142.00	\$474	21
2-1/2"	20-Y	161.00143.00	\$557	32
3"	20-Y	161.00144.00	\$640	36

ALL PRICES AND DATA ARE SUBJECT TO CHANGE WITHOUT NOTICE
 Steam Control Products / Parts Price Catalog



Hand Radiators Valves

Tel (262) 641-3808 · SterlcoSteam.com · Effective: January 1, 2024 · Supersedes: January 1, 2023

SIZE	BODY STYLE	PART NUMBER	LIST PRICE	SHIPPING WEIGHT IN POUNDS
MODEL #518				
PACKED STEM				
2"	Angle	503.00519.24	\$583	4 3/4
MODEL #523				
PACKLESS				
1/2"	Angle	503.00519.31	\$220	1 1/2
1/2"	Straightway	503.00519.25	\$225	1 3/4
3/4"	Angle	503.00519.32	\$228	1 3/4
3/4"	Straightway	503.00519.26	\$248	2
MODEL #511				
SPRING PACKED				
1/2"	Angle	503.00519.07	\$157	1
1/2"	Straightway	503.00519.01	\$184	1 1/4
1/2"	Left Hand Corner	503.00519.61	\$244	1 1/2
1/2"	Right Hand Corner	503.00519.67	\$244	1 1/2
3/4"	Angle	503.00519.08	\$198	1 1/2
3/4"	Straightway	503.00519.02	\$231	1 1/2
3/4"	Left Hand Corner	503.00519.62	\$255	1 3/4
3/4"	Right Hand Corner	503.00519.68	\$255	1 3/4
1"	Angle	503.00519.09	\$268	1 3/4
1"	Straightway	503.00519.03	\$328	2 1/4
1"	Left Hand Corner	503.00519.63	\$356	3
1"	Right Hand Corner	503.00519.69	\$356	3
1-1/4"	Angle	503.00519.10	\$290	2 1/2
1-1/4"	Straightway	503.00519.04	\$307	3
1-1/4"	Left Hand Corner	503.00519.64	\$476	3 1/2
1-1/4"	Right Hand Corner	503.00519.70	\$476	3 1/2
1-1/2"	Angle	503.00519.11	\$369	3 1/4
1-1/2"	Straightway	503.00519.05	\$432	4 1/4
1-1/2"	Left Hand Corner	503.00519.65	\$607	4 1/2
1-1/2"	Right Hand Corner	503.00519.71	\$607	4 1/2
COMPONENT PARTS				
Handle	553.00517.00	\$21		
Screw	001.00365.00	\$10		

ALL PRICES AND DATA ARE SUBJECT TO CHANGE WITHOUT NOTICE
 Steam Control Products / Parts Price Catalog



Thermostatic Steam Traps

Tel (262) 641-3808 · SterlcoSteam.com · Effective: January 1, 2024 · Supersedes: January 1, 2023

LOW PRESSURE (BRASS TRIM STANDARD)
(25 PSI Maximum Pressure)

SIZE	MODEL NUMBER	BODY STYLE	PART NUMBER	LIST PRICE	SHIPPING WEIGHT IN POUNDS
1/2"	750-A	Angle	750-A	\$131	1 1/4
1/2"	950-A	Angle	950-A	\$131	1 1/4
1/2"	970-S	Stwy.	970-S	\$146	1 3/8
1/2"	970-R	R.H.	970-R	\$181	1 3/8
1/2"	970-L	L.H.	970-L	\$181	1 3/8
1/2"	980-VS	Vert. Stwy.	980-VS	\$212	1 1/4
3/4"	953-A	Angle	953-A	\$177	1 7/8
3/4"	973-S	Stwy.	973-S	\$200	1 7/8
3/4"	983-VST	Vert. St. Thru	983-VST	\$178	1 1/4
1"	915-A	Angle	915-A	\$259	2

LOW PRESSURE (STAINLESS STEEL TRIM STANDARD)
(25 PSI Maximum Pressure)

SIZE	MODEL NUMBER	BODY STYLE	PART NUMBER	LIST PRICE	SHIPPING WEIGHT IN POUNDS
1/2"	750-AX	Angle	750-AX	\$236	1 1/4
1/2"	950-AX	Angle	950-AX	\$182	1 1/4
1/2"	970-SX	Stwy.	970-SX	\$216	1 3/8
1/2"	970-RX	R.H.	970-RX	\$215	1 3/8
1/2"	970-LX	L.H.	970-LX	\$215	1 3/8
1/2"	980-VSX	Vert. Stwy.	980-VSX	\$250	1 1/4
3/4"	953-AX	Angle	953-AX	\$222	1 7/8
3/4"	973-SX	Stwy.	973-SX	\$258	1 7/8
3/4"	983-VSTX	Vert. St. Thru	983-VSTX	\$239	1 1/4
1"	915-AX	Angle	915-AX	\$308	2

HIGH PRESSURE (STAINLESS STEEL TRIM STANDARD)
(125 PSI Maximum Pressure)

SIZE	MODEL NUMBER	BODY STYLE	PART NUMBER	LIST PRICE	SHIPPING WEIGHT IN POUNDS
1/2"	950-AH	Angle	950-AH	\$232	2
1/2"	970-SH	Stwy.	970-SH	\$340	2 1/8
3/4"	953-AH	Angle	953-AH	\$290	2 3/4
1"	915-AH	Angle	915-AH	\$436	3

ALL PRICES AND DATA ARE SUBJECT TO CHANGE WITHOUT NOTICE
Steam Control Products / Parts Price Catalog



Thermostatic Steam Trap Parts

Tel (262) 641-3808 · SterlcoSteam.com · Effective: January 1, 2024 · Supersedes: January 1, 2023

LOW PRESSURE (25 PSI Maximum Pressure)

COMPONENT PARTS

PART NUMBER	DESCRIPTION	LIST PRICE
613.11391.01	Cover (1/2" and 3/4")	\$41
613.12711.01	Cover (715-A)	\$64
693.11989.01	Thermostat (Brass) (1/2" and 3/4")	\$91
693.10979.01	Thermostat (Stainless Steel) (1/2" and 3/4")	\$96
693.12129.01	Thermostat (Stainless Steel) (715-A)	\$105
633.14033.00	Thermostat Seat (Brass) (1/2" and 3/4")	\$20
633.13803.00	Thermostat Seat (Stainless Steel) (1/2 " and 3/4")	\$81
633.13923.00	Thermostat Seat (Stainless Steel) (715-A)	\$37
613.12721.00	1/2" Union Nipple (All 1/2")	\$42
613.12721.01	1/2" Union Nipple (Short Nipple) (All 1/2")	\$42
613.12741.01	3/4" Union Nipple (753-A & 773-S)	\$49
613.12741.00	3/4" Union Nipple (Short Nipple) (753-A & 773-S)	\$42
613.12751.00	1" Union Nipple (715-A)	\$61
613.12761.00	1/2" Union Nut (All 1/2")	\$29
613.12771.00	3/4" Union Nut (753-A & 773-S)	\$34
613.12781.00	1" Union Nut (715-A)	\$42

MEDIUM PRESSURE (75 PSI Maximum Pressure)

COMPONENT PARTS

PART NUMBER	DESCRIPTION	LIST PRICE
613.11391.01	Cover (M-750-A & M-753-A)	\$41
613.12711.01	Cover (M-715-A)	\$64
693.10979.01	Thermostat (M-750-A & M-753-A)	\$96
693.12129.01	Thermostat (M-715-A)	\$105
633.13803.00	Thermostat Seat (M-750-A & M-753-A)	\$81
633.13923.00	Thermostat Seat (M-715-A)	\$37
613.12721.00	1/2" Union Nipple (M-750-A)	\$42
613.12741.01	3/4" Union Nipple (M-753-A)	\$49
613.12751.00	1" Union Nipple (M-715-A)	\$61
613.12761.00	1/2" Union Nut (M-750-A)	\$35
613.12771.00	3/4" Union Nut (M-753-A)	\$34
613.12781.00	1" Union Nut (M-715-A)	\$42

HIGH PRESSURE (125 PSI Maximum Pressure)

COMPONENT PARTS

PART NUMBER	DESCRIPTION	LIST PRICE
613.11391.01	Cover (850-A & 853-A)	\$41
613.12711.01	Cover (812-A)	\$64
693.10979.01	Thermostat (850-A & 853-A)	\$96
693.12129.01	Thermostat (812-A)	\$105
633.13993.00	Thermostat Seat (850-A)	\$35
633.13983.00	Thermostat Seat (853-A)	\$35
633.13923.00	Thermostat Seat (812-A)	\$37
613.12721.00	1/2" Union Nipple (850-A)	\$42
613.12741.01	3/4" Union Nipple (853-A)	\$49
613.12751.00	1" Union Nipple (812-A)	\$61
613.12761.00	1/2" Union Nut (850-A)	\$29
613.12771.00	3/4" Union Nut (853-A)	\$34
613.12781.00	1" Union Nut (812-A)	\$42

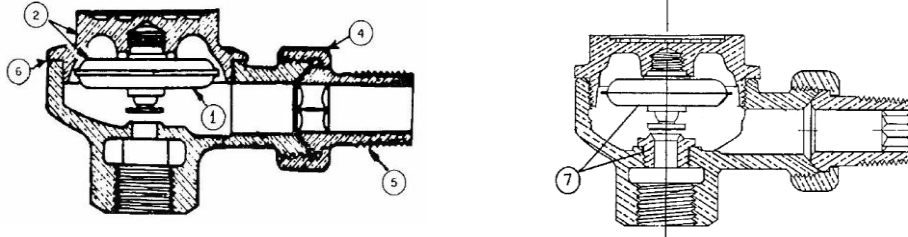
ALL PRICES AND DATA ARE SUBJECT TO CHANGE WITHOUT NOTICE
 Steam Control Products / Parts Price Catalog



Confidential Prices

Thermostatic Steam Trap Parts (900 & 900-X)

Tel (262) 641-3808 · SterlcoSteam.com · Effective: January 1, 2024 · Supersedes: January 1, 2023



REPLACEMENT CARTRIDGE TO REBUILD

950-A, 970-S, 953-A, 973-S AND 915-A TRAPS INCLUDING SEAT

PART NUMBER	DESCRIPTION	LIST PRICE
162.00169.01	Replacement cartridge assembly for 1/2" 950-A & 970-S	\$123
162.00169.02	Replacement cartridge assembly for 3/4" 953-A & 973-S	\$138
162.00169.03	Replacement cartridge assembly for 1" 915-A	\$158

COMPONENT PARTS

PART NUMBER	DESCRIPTION	REF #	LIST PRICE
162.00169.13	Disc Only (950/ 970/ 980/ 983)	1	\$65
162.00169.18	Disc Only (953/ 973)**	1	\$78
162.00169.21	Disc Only (915)**	1	\$104
162.00169.08	Cap & Disc Assembly (950/ 970/ 980)	2	\$119
162.00169.11	Cap & Disc Assembly (953/ 973)	2	\$139
162.00169.09	Cap & Disc Assembly (983)	2	\$119
162.00169.12	Cap & Disc Assembly (915)	2	\$169
162.00169.34	1/2" Union Nut (950/ 970/ 980 & 950X/ 970X/ 980X)	4	\$22
162.00169.35	3/4" Union Nut (953/ 973/ 983 & 953X/ 973X/ 983X)	4	\$25
162.00169.36	1" Union Nut (915 & 915X)	4	\$30
162.00169.31	1/2" Union Nipple (950/ 970/ 980 & 950X/ 970X/ 980X)	5	\$22
162.00169.32	3/4" Union Nipple (953/ 973/ 983 & 953X/ 973X/ 983X)	5	\$25
162.00169.33	1" Union Nipple (915 & 915X)	5	\$34
162.00169.37	Cap Gasket (950/ 970/ 980 & 950X/ 970X/ 980X)	6	\$5
162.00169.38	Cap Gasket (953/ 973/ 983/ 915 & 953X/ 973X/ 983X/ 915X)	6	\$12
162.00169.39	Cap Gasket (983-VST)	6	\$12
162.00169.20	Seat & Disc (953X/ 973X)	7	\$126
162.00169.15	Seat & Disc (950X/ 970X)	7	\$112
162.00169.23	Seat & Disc (915X)	7	\$172
162.00169.44	1/2" Spud Wrench		\$99
162.00169.45	3/4" Spud Wrench		\$109
162.00169.46	1" Spud Wrench		\$203
162.00169.47	Trap Cap Wrench		\$109

**when ordering disc only, requires cap gasket

ALL PRICES AND DATA ARE SUBJECT TO CHANGE WITHOUT NOTICE
 Steam Control Products / Parts Price Catalog



Float & Thermostatic Steam Traps: Model FT-90 Series

Tel (262) 641-3808 · SterlcoSteam.com · Effective: January 1, 2024 · Supersedes: January 1, 2023

FLOAT AND THERMOSTATIC IN-LINE STEAM TRAPS LOW PRESSURE STAINLESS STEEL TRIM STANDARD: MODEL FT-90				(15 PSI MAXIMUM PRESSURE)
SIZE	MODEL NUMBER	PART NUMBER	LIST PRICE	SHIPPING WEIGHT IN POUNDS
1/2"	FT90-2-15IL	FT90-2-15IL	\$374	11
3/4"	FT90-3-15IL	FT90-3-15IL	\$374	11
1"	FT90-4-15IL	FT90-4-15IL	\$444	11
1-1/4"	FT90-5-15IL	FT90-5-15IL	\$632	11
1-1/2"	FT90-6-15IL	FT90-6-15IL	\$1,320	47
2"	FT90-8-15IL	FT90-8-15IL	\$1,983	47

FLOAT AND THERMOSTATIC IN-LINE STEAM TRAPS MEDIUM PRESSURE STAINLESS STEEL TRIM STANDARD: MODEL FT-90				(30 PSI MAXIMUM PRESSURE)
SIZE	MODEL NUMBER	PART NUMBER	LIST PRICE	SHIPPING WEIGHT IN POUNDS
1/2"	FT90-2-30IL	FT90-2-30IL	\$374	11
3/4"	FT90-3-30IL	FT90-3-30IL	\$374	11
1"	FT90-4-30IL	FT90-4-30IL	\$444	11
1-1/4"	FT90-5-30IL	FT90-5-30IL	\$632	11
1-1/2"	FT90-6-30IL	FT90-6-30IL	\$1,320	47
2"	FT90-8-30IL	FT90-8-30IL	\$1,983	47

ALL PRICES AND DATA ARE SUBJECT TO CHANGE WITHOUT NOTICE
 Steam Control Products / Parts Price Catalog



STERLING

Confidential Prices

Float & Thermostatic Steam Traps: Model FT-90 Series

Tel (262) 641-3808 · SterlcoSteam.com · Effective: January 1, 2024 · Supersedes: January 1, 2023

FLOAT AND THERMOSTATIC IN-LINE STEAM TRAPS MEDIUM PRESSURE STAINLESS STEEL TRIM STANDARD: MODEL FT-90				(75 PSI MAXIMUM PRESSURE)
SIZE	MODEL NUMBER	PART NUMBER	LIST PRICE	SHIPPING WEIGHT IN POUNDS
1/2"	FT90-2-75IL	FT90-2-75IL	\$374	11
3/4"	FT90-3-75IL	FT90-3-75IL	\$374	11
1"	FT90-4-75IL	FT90-4-75IL	\$444	11
1-1/4"	FT90-5-75IL	FT90-5-75IL	\$632	48
1-1/2"	FT90-6-75IL	FT90-6-75IL	\$1,320	47
2"	FT90-8-75IL	FT90-8-75IL	\$1,983	47

FLOAT AND THERMOSTATIC IN-LINE STEAM TRAPS HIGH PRESSURE STAINLESS STEEL TRIM STANDARD: MODEL FT-90				(125 PSI MAXIMUM PRESSURE)
SIZE	MODEL NUMBER	PART NUMBER	LIST PRICE	SHIPPING WEIGHT IN POUNDS
1/2"	FT90-2-125IL	FT90-2-125IL	\$374	11
3/4"	FT90-3-125IL	FT90-3-125IL	\$374	11
1"	FT90-4-125IL	FT90-4-125IL	\$444	11
1-1/4"	FT90-5-125IL	FT90-5-125IL	\$632	48
1-1/2"	FT90-6-125IL	FT90-6-125IL	\$1,320	47
2"	FT90-8-125IL	FT90-8-125IL	\$1,983	47

ALL PRICES AND DATA ARE SUBJECT TO CHANGE WITHOUT NOTICE

Steam Control Products / Parts Price Catalog



STERLING

Confidential Prices

Float & Thermostatic Steam Traps: Model FT-69/92 Series

Tel (262) 641-3808 · SterlcoSteam.com · Effective: January 1, 2024 · Supersedes: January 1, 2023

FLOAT AND THERMOSTATIC STEAM TRAPS DOUBLE INLET/OUTLET - LOW PRESSURE				(15 PSI MAXIMUM PRESSURE)
BRASS TRIM STANDARD: MODEL FT-69/92				
SIZE	MODEL NUMBER	PART NUMBER	LIST PRICE	SHIPPING WEIGHT IN POUNDS
3/4"	FT69-3-15	FT69-3-15	\$585	6
3/4"	FT92-3-15	FT92-3-15	\$381	12
1"	FT92-4-15	FT92-4-15	\$391	12
1-1/4"	FT92-5-15	FT92-5-15	\$444	17
1-1/2"	FT92-6-15	FT92-6-15	\$479	17

FLOAT AND THERMOSTATIC STEAM TRAPS DOUBLE INLET/OUTLET - MEDIUM PRESSURE				(30 PSI MAXIMUM PRESSURE)
BRASS TRIM STANDARD: MODEL FT-92				
SIZE	MODEL NUMBER	PART NUMBER	LIST PRICE	SHIPPING WEIGHT IN POUNDS
3/4"	FT92-3-30	FT92-3-30	\$398	12
1"	FT92-4-30	FT92-4-30	\$461	12
1-1/4"	FT92-5-30	FT92-5-30	\$534	17
1-1/2"	FT92-6-30	FT92-6-30	\$630	17

FLOAT AND THERMOSTATIC STEAM TRAPS DOUBLE INLET/OUTLET - HIGH PRESSURE				(75-125 PSI MAXIMUM PRESSURE)
BRASS TRIM STANDARD: MODEL FT-92				
SIZE	MODEL NUMBER	PART NUMBER	LIST PRICE	SHIPPING WEIGHT IN POUNDS
3/4"	FT92-3-75	FT92-3-75	\$416	12
1"	FT92-4-75	FT92-4-75	\$495	12
1-1/4"	FT92-5-75	FT92-5-75	\$581	17
1-1/2"	FT92-6-75	FT92-6-75	\$647	17
3/4"	FT92-3-125	FT92-3-125	\$469	12
1"	FT92-4-125	FT92-4-125	\$557	12
1-1/4"	FT92-5-125	FT92-5-125	\$659	17
1-1/2"	FT92-6-125	FT92-6-125	\$703	17

ALL PRICES AND DATA ARE SUBJECT TO CHANGE WITHOUT NOTICE
Steam Control Products / Parts Price Catalog



Confidential Prices

Float & Thermostatic Steam Traps: Model FT-69/92 Series

Tel (262) 641-3808 · SterlcoSteam.com · Effective: January 1, 2024 · Supersedes: January 1, 2023

FLOAT AND THERMOSTATIC STEAM TRAPS DOUBLE INLET/OUTLET – LOW PRESSURE				(15 PSI MAXIMUM PRESSURE)
STAINLESS STEEL TRIM STANDARD: MODEL FT-69/92				
SIZE	MODEL NUMBER	PART NUMBER	LIST PRICE	SHIPPING WEIGHT IN POUNDS
3/4"	FT69-3-15X	FT69-3-15X	\$846	6
3/4"	FT92-3-15X	FT92-3-15X	\$457	12
1"	FT92-4-15X	FT92-4-15X	\$549	12
1-1/4"	FT92-5-15X	FT92-5-15X	\$659	17
1-1/2"	FT92-6-15X	FT92-6-15X	\$827	17

FLOAT AND THERMOSTATIC STEAM TRAPS DOUBLE INLET/OUTLET – MEDIUM PRESSURE				(30 PSI MAXIMUM PRESSURE)
STAINLESS STEEL TRIM STANDARD: MODEL FT-92				
SIZE	MODEL NUMBER	PART NUMBER	LIST PRICE	SHIPPING WEIGHT IN POUNDS
3/4"	FT92-3-30X	FT92-3-30X	\$511	12
1"	FT92-4-30X	FT92-4-30X	\$583	12
1-1/4"	FT92-5-30X	FT92-5-30X	\$676	17
1-1/2"	FT92-6-30X	FT92-6-30X	\$944	17

FLOAT AND THERMOSTATIC STEAM TRAPS DOUBLE INLET/OUTLET – HIGH PRESSURE				(75-125 PSI MAXIMUM PRESSURE)
STAINLESS STEEL TRIM STANDARD: MODEL FT-92				
SIZE	MODEL NUMBER	PART NUMBER	LIST PRICE	SHIPPING WEIGHT IN POUNDS
3/4"	FT92-3-75X	FT92-3-75X	\$626	12
1"	FT92-4-75X	FT92-4-75X	\$692	12
1-1/4"	FT92-5-75X	FT92-5-75X	\$951	17
1-1/2"	FT92-6-75X	FT92-6-75X	\$1,217	17
3/4"	FT92-3-125X	FT92-3-125X	\$685	12
1"	FT92-4-125X	FT92-4-125X	\$783	12
1-1/4"	FT92-5-125X	FT92-5-125X	\$1,043	17
1-1/2"	FT92-6-125X	FT92-6-125X	\$1,397	17

ALL PRICES AND DATA ARE SUBJECT TO CHANGE WITHOUT NOTICE
 Steam Control Products / Parts Price Catalog



STERLING

Confidential Prices

Float & Thermostatic Steam Traps: Model FT-94/94HC Series

Tel (262) 641-3808 · SterlcoSteam.com · Effective: January 1, 2024 · Supersedes: January 1, 2023

FLOAT AND THERMOSTATIC STEAM TRAPS DOUBLE INLET/OUTLET LOW/MEDIUM/HIGH PRESSURE STAINLESS STEEL TRIM STANDARD: MODEL FT-94				(15-125 PSI MAXIMUM PRESSURE-SEE PART NUMBER)
SIZE	MODEL NUMBER	PART NUMBER	LIST PRICE	SHIPPING WEIGHT IN POUNDS
1-1/2"	FT94-6-15	FT94-6-15	\$983	24
2"	FT94-8-15	FT94-8-15	\$1,010	24
1-1/2"	FT94-6-30	FT94-6-30	\$1,093	24
2"	FT94-8-30	FT94-8-30	\$1,106	24
1-1/2"	FT94-6-75	FT94-6-75	\$1,115	24
2"	FT94-8-75	FT94-8-75	\$1,124	24
1-1/2"	FT94-6-125	FT94-6-125	\$1,166	24
2"	FT94-8-125	FT94-8-125	\$1,217	24

FLOAT AND THERMOSTATIC STEAM TRAPS DOUBLE INLET/OUTLET LOW/MEDIUM/HIGH PRESSURE - HIGH CAPACITY STAINLESS STEEL TRIM STANDARD: MODEL FT-94HC				(15-125 PSI MAXIMUM PRESSURE-SEE PART NUMBER)
SIZE	MODEL NUMBER	PART NUMBER	LIST PRICE	SHIPPING WEIGHT IN POUNDS
1-1/2"	FT94-6-15HC	FT94-6-15HC	\$1,556	48
2"	FT94-8-15HC	FT94-8-15HC	\$1,689	48
1-1/2"	FT94-6-30HC	FT94-6-30HC	\$1,682	48
2"	FT94-8-30HC	FT94-8-30HC	\$1,757	48
1-1/2"	FT94-6-75HC	FT94-6-75HC	\$1,687	48
2"	FT94-8-75HC	FT94-8-75HC	\$1,815	48
1-1/2"	FT94-6-125HC	FT94-6-125HC	\$1,738	48
2"	FT94-8-125HC	FT94-8-125HC	\$1,870	48

ALL PRICES AND DATA ARE SUBJECT TO CHANGE WITHOUT NOTICE

Steam Control Products / Parts Price Catalog



STERLING

Confidential Prices

Float & Thermostatic Steam Traps: Model FT-96 Series

Tel (262) 641-3808 · SterlcoSteam.com · Effective: January 1, 2024 · Supersedes: January 1, 2023

FLOAT AND THERMOSTATIC STEAM TRAPS HIGH CAPACITY - LOW PRESSURE BRASS & STAINLESS STEEL TRIM STANDARD: MODEL FT-96				(15 PSI MAXIMUM PRESSURE)
SIZE	MODEL NUMBER	PART NUMBER	LIST PRICE	SHIPPING WEIGHT IN POUNDS
2"	FT96-8-15	FT96-8-15	\$1,723	41
2"	FT96-8-15HC	FT96-8-15HC	\$2,360	69
2-1/2"	FT96-10-15HC	FT96-10-15HC	\$6,456	95

FLOAT AND THERMOSTATIC STEAM TRAPS HIGH CAPACITY - MEDIUM & HIGH PRESSURE BRASS & STAINLESS STEEL TRIM STANDARD: MODEL FT-96				(30-125 PSI MAXIMUM PRESSURE)
SIZE	MODEL NUMBER	PART NUMBER	LIST PRICE	SHIPPING WEIGHT IN POUNDS
2"	FT96-8-30HC	FT96-8-30HC	\$2,483	69
2-1/2"	FT96-10-30HC	FT96-10-30HC	\$6,914	95
1-1/2"	FT96-6-60	FT96-6-60	\$1,790	41
2"	FT96-8-60	FT96-8-60	\$1,954	41
2-1/2"	FT96-10-125HC	FT96-10-125HC	\$7,966	95

ALL PRICES AND DATA ARE SUBJECT TO CHANGE WITHOUT NOTICE

Steam Control Products / Parts Price Catalog



Confidential Prices

Float & Thermostatic Steam Traps Parts

Tel (262) 641-3808 · SterlcoSteam.com · Effective: January 1, 2024 · Supersedes: January 1, 2023

FLOAT AND THERMOSTATIC STEAM TRAP PARTS FOR OLD STYLE STERLING STEAM TRAPS				RENEWAL KITS
SIZE	MODEL NUMBER	PART NUMBER	LIST PRICE	
3/4"	FT-69-15	693.00546.00	\$220	

FLOAT AND THERMOSTATIC STEAM TRAP PARTS FOR OLD STYLE STERLING STEAM TRAPS		FLOAT BALLS (NOT INCLUDED IN RENEWAL KITS)	
SIZE	MODEL NUMBER	PART NUMBER	LIST PRICE
3/4"	FT-69-15	573.00001.01	\$43

ALL PRICES AND DATA ARE SUBJECT TO CHANGE WITHOUT NOTICE
Steam Control Products / Parts Price Catalog



Float & Thermostatic Steam Traps Parts (FT 90)

Tel (262) 641-3808 · SterlcoSteam.com · Effective: January 1, 2024 · Supersedes: January 1, 2023

FT90 SERIES TRAP LESS BODY

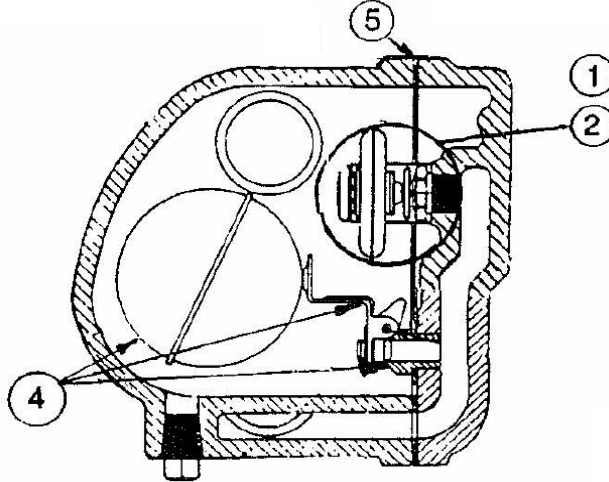
DESCRIPTION	PART NUMBER	LIST PRICE
1/2"-3/4" 15 PSIG	162.00169.134	\$209
1/2"-3/4" 30 PSIG	162.00169.135	\$254

REPLACEMENT FT90 SERIES PARTS

DESCRIPTION	PART NUMBER	LIST PRICE
INTERNAL MECH (FT90-2-15IL/ FT90-3-15IL)	162.00169.136	\$146
INTERNAL MECH (FT90-2-30IL/ FT90-3-30IL)	162.00169.137	\$181

ALL PRICES AND DATA ARE SUBJECT TO CHANGE WITHOUT NOTICE
Steam Control Products / Parts Price Catalog

Tel (262) 641-3808 · SterlcoSteam.com · Effective: January 1, 2024 · Supersedes: January 1, 2023

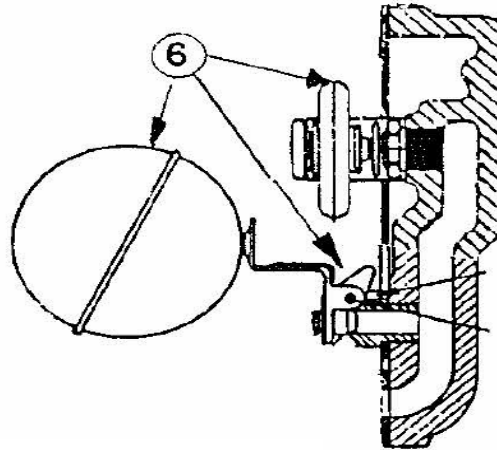


REPLACEMENT FT92 SERIES PARTS

DESCRIPTION	REF #	PART NUMBER	LIST PRICE
THERMO DISC ONLY 15-30#	1	162.00169.13	\$66
THERMO DISC ONLY 75-125#	1	162.00169.24	\$91
THERMO COMPLETE 15-30 #	2	162.00169.79	\$149
THERMO COMPLETE 75-125 #	2	162.00169.80	\$200
INTERNAL MECH (FT92-3-15/ FT92-4-15)	4	162.00169.83	\$179
INTERNAL MECH (FT92-3-30/ FT92-4-30)	4	162.00169.82	\$206
INTERNAL MECH (FT92-3-75/ FT92-4-75)	4	162.00169.85	\$211
INTERNAL MECH (FT92-3-125/ FT92-4-125)	4	162.00169.87	\$249
INTERNAL MECH (FT92-5-15)	4	162.00169.84	\$197
INTERNAL MECH (FT92-5-30)	4	162.00169.89	\$230
INTERNAL MECH (FT92-5-75)	4	162.00169.81	\$249
INTERNAL MECH (FT92-5-125)	4	162.00169.88	\$278
INTERNAL MECH (FT92-6-15)	4	162.00169.86	\$213
INTERNAL MECH (FT92-6-30)	4	162.00169.90	\$260
INTERNAL MECH (FT92-6-75)	4	162.00169.91	\$264
INTERNAL MECH (FT92-6-125)	4	162.00169.92	\$292
CAP GASKET (FT92, 3/4" & 1")	5	162.00169.77	\$16
CAP GASKET (FT92, 1-1/4" & 1-1/2")	5	162.00169.78	\$19

ALL PRICES AND DATA ARE SUBJECT TO CHANGE WITHOUT NOTICE
Steam Control Products / Parts Price Catalog

Tel (262) 641-3808 · SterlcoSteam.com · Effective: January 1, 2024 · Supersedes: January 1, 2023



*Trap less body includes internal mechanism complete with cap

FT92 SERIES TRAP LESS BODY

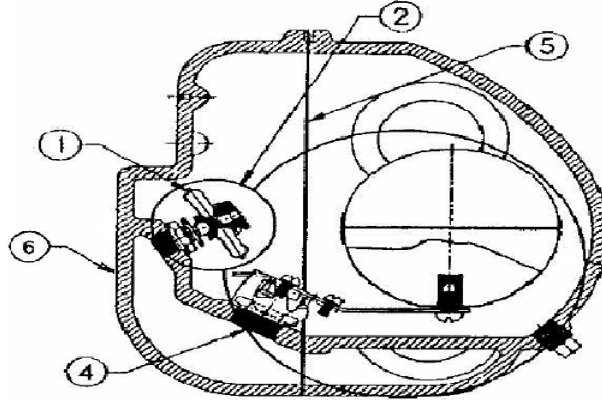
DESCRIPTION	REF #	PART NUMBER	LIST PRICE
3/4-1" 15 PSIG	6	162.00169.93	\$257
1-1/4" 15 PSIG	6	162.00169.94	\$355
1-1/2" 15 PSIG	6	162.00169.95	\$385
3/4" 30 PSIG	6	162.00169.96	\$304
1" 30 PSIG	6	162.00169.97	\$311
1-1/4" 30 PSIG	6	162.00169.98	\$425
1-1/2" 30 PSIG	6	162.00169.99	\$460
3/4" 75 PSIG	6	162.00169.100	\$337
1" 75 PSIG	6	162.00169.101	\$352
1-1/4" 75 PSIG	6	162.00169.102	\$464
1-1/2" 75 PSIG	6	162.00169.103	\$504
3/4" 125 PSIG	6	162.00169.104	\$365
1" 125 PSIG	6	162.00169.105	\$383
1-1/4" 125 PSIG	6	162.00169.106	\$515
1-1/2" 125 PSIG	6	162.00169.107	\$572

ALL PRICES AND DATA ARE SUBJECT TO CHANGE WITHOUT NOTICE

Steam Control Products / Parts Price Catalog

Float & Thermostatic Steam Traps Parts (FT 94)

Tel (262) 641-3808 · SterlcoSteam.com · Effective: January 1, 2024 · Supersedes: January 1, 2023



REPLACEMENT FT94 SERIES PARTS

DESCRIPTION	REF #	PART NUMBER	LIST PRICE
THERMO DISC ONLY 15-30#	1	162.00169.13	\$66
THERMO DISC ONLY 75-125#	1	162.00169.24	\$91
THERMO COMPLETE 15-30#	2	162.00169.79	\$149
THERMO COMPLETE 75-125#	2	162.00169.80	\$200
INTERNAL MECH (FT94-6-15/ FT94-8-15)	4	162.00169.109	\$548
INTERNAL MECH (FT94-6-30/ FT94-8-30)	4	162.00169.110	\$557
INTERNAL MECH (FT94-6-75/ FT94-8-75)	4	162.00169.111	\$582
INTERNAL MECH (FT94-6-125/ FT94-8-125)	4	162.00169.112	\$626
GASKET	5	162.00169.108	\$21

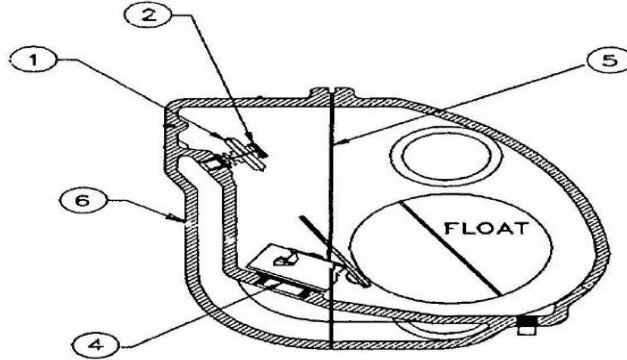
FT94 SERIES TRAP LESS BODY

DESCRIPTION	REF #	PART NUMBER	LIST PRICE
1-1/2" 15 PSIG	6	162.00169.113	\$758
2" 15 PSIG	6	162.00169.114	\$795
1-1/2" 30 PSIG	6	162.00169.115	\$758
2" 30 PSIG	6	162.00169.116	\$795
1-1/2" 75 PSIG	6	162.00169.117	\$835
2" 75 PSIG	6	162.00169.118	\$853
1-1/2" 125 PSIG	6	162.00169.119	\$861
2" 125 PSIG	6	162.00169.120	\$879

ALL PRICES AND DATA ARE SUBJECT TO CHANGE WITHOUT NOTICE
Steam Control Products / Parts Price Catalog

Float & Thermostatic Steam Traps Parts (FT 94-HC)

Tel (262) 641-3808 · SterlcoSteam.com · Effective: January 1, 2024 · Supersedes: January 1, 2023



REPLACEMENT FT94-HC SERIES PARTS

DESCRIPTION	REF #	PART NUMBER	LIST PRICE
THERMO DISC ONLY 15-30#	1	162.00169.13	\$66
THERMO DISC ONLY 75-125#	1	162.00169.24	\$91
THERMO COMPLETE 15-30#	2	162.00169.79	\$149
THERMO COMPLETE 75-125#	2	162.00169.80	\$200
INTERNAL MECH (FT94-6-15HC/ FT94-8-15HC)	4	162.00169.122	\$650
INTERNAL MECH (FT94-6-30HC/ FT94-8-30HC)	4	162.00169.123	\$665
INTERNAL MECH (FT94-6-75HC/ FT94-8-75HC)	4	162.00169.124	\$688
INTERNAL MECH (FT94-6-125HC/ FT94-8-125HC)	4	162.00169.125	\$728
GASKET	5	162.00169.76	\$23

FT94-HC SERIES TRAP LESS BODY

DESCRIPTION	REF #	PART NUMBER	LIST PRICE
1-1/2" 15 PSIG	6	162.00169.126	\$827
2" 15 PSIG	6	162.00169.127	\$897
1-1/2" 30 PSIG	6	162.00169.128	\$871
2" 30 PSIG	6	162.00169.129	\$933
1-1/2" 75 PSIG	6	162.00169.130	\$897
2" 75 PSIG	6	162.00169.131	\$963
1-1/2" 125 PSIG	6	162.00169.132	\$939
2" 125 PSIG	6	162.00169.133	\$995

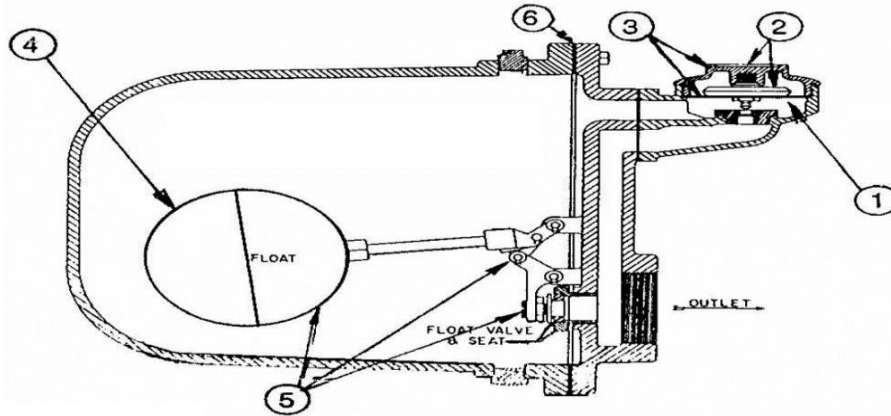
ALL PRICES AND DATA ARE SUBJECT TO CHANGE WITHOUT NOTICE
Steam Control Products / Parts Price Catalog



Confidential Prices

Float & Thermostatic Steam Traps Parts (FT 96)

Tel (262) 641-3808 · SterlcoSteam.com · Effective: January 1, 2024 · Supersedes: January 1, 2023



REPLACEMENT FT96 SERIES PARTS

DESCRIPTION	REF #	PART NUMBER	LIST PRICE
THERMO DISC ONLY (FT96-8-15/ FT96-8-15HC/ FT96-10-15HC/ FT96-10-30HC)	1	162.00169.21	\$106
THERMO DISC ONLY (FT96-6-60/ FT96-8-60/ FT96-8-30HC)	1	162.00169.24	\$91
CAP & DISC ASSEMBLY (FT96-8-15/ FT96-8-15HC/ FT96-10-15HC/ FT96-10-30HC)	2	162.00169.12	\$172
THERMO COMPLETE (FT96-6-60/ FT96-8-60) **	3	162.00169.53	\$418
THERMO COMPLETE (FT96-8-15/ FT96-10-15HC/ FT96-10-30HC) **	3	162.00169.52	\$303
FLOAT BALL 5" & ROD (FT96-8-15HC/ FT96-8-30HC)	4	162.00169.48	\$267
FLOAT BALL (FT96-10-15HC/ FT96-10-30HC)	4	162.00169.50	\$277
INTERNAL MECH (FT96-8-15)	5	162.00169.69	\$574
INTERNAL MECH (FT96-6-60)	5	162.00169.70	\$819
INTERNAL MECH (FT96-8-60)	5	162.00169.71	\$828
INTERNAL MECH (FT96-8-15HC)	5	162.00169.72	\$830
INTERNAL MECH (FT96-8-30HC)	5	162.00169.73	\$830
INTERNAL MECH (FT96-10-15HC/ FT96-10-30HC)	5	162.00169.74	\$3,684
CAP GASKET (FT96-8-15/ FT96-10-15HC/ FT96-10-30HC)	6	162.00169.58	\$29
CAP GASKET (FT96-6-60/ FT96-8-60)	6	162.00169.60	\$36
CAP GASKET (FT96-8-15HC/ FT96-8-30HC)	6	162.00169.61	\$45
MANIFOLD GASKET		162.00169.63	\$33

** when ordering thermo complete, add manifold gasket

ALL PRICES AND DATA ARE SUBJECT TO CHANGE WITHOUT NOTICE
 Steam Control Products / Parts Price Catalog



Inverted Bucket Traps: Model 900 Series

Tel (262) 641-3808 · SterlcoSteam.com · Effective: January 1, 2024 · Supersedes: January 1, 2023

HORIZONTAL INVERTED BUCKET STEAM TRAPS				PSI VARIES: SEE COLUMN BELOW
SIZE	PSI	PART NUMBER	LIST PRICE	SHIPPING WEIGHT IN POUNDS
1/2" & 3/4"	20	919-2-20 & 919-3-20	\$271	5
1/2" & 3/4"	80	919-2-80 & 919-3-80	\$271	5
1/2" & 3/4"	125	919-2-125 & 919-3-125	\$271	5
1/2" & 3/4"	150	919-2-150 & 919-3-150	\$271	5
1/2" & 3/4" \$ 1"	15	920-2-15, 920-3-15 & 920-4-15	\$355	6
1/2" & 3/4" \$ 1"	30	920-2-30, 920-3-30 & 920-4-30	\$355	6
1/2" & 3/4" \$ 1"	70	920-2-70, 920-3-70 & 920-4-70	\$355	6
1/2" & 3/4" \$ 1"	125	920-2-125, 920-3-125 & 920-4-125	\$355	6
1/2" & 3/4" \$ 1"	200	920-2-200, 920-3-200 & 920-4-200	\$355	6
1/2" & 3/4" \$ 1"	250	920-2-250, 920-3-250 & 920-4-250	\$355	6
1/2" & 3/4"	15	921-2-15 & 921-3-15	\$632	15
1/2" & 3/4"	30	921-2-30 & 921-3-30	\$632	15
1/2" & 3/4"	70	921-2-70 & 921-3-70	\$632	15
1/2" & 3/4"	125	921-2-125 & 921-3-125	\$632	15
1/2" & 3/4"	200	921-2-200 & 921-3-200	\$632	15
1/2" & 3/4"	250	921-2-250 & 921-3-250	\$632	15
3/4" & 1"	15	922-3-15 & 922-4-15	\$784	28
3/4" & 1"	30	922-3-30 & 922-4-30	\$784	28
3/4" & 1"	60	922-3-60 & 922-4-60	\$784	28
3/4" & 1"	80	922-3-80 & 922-4-80	\$784	28
3/4" & 1"	125	922-3-125 & 922-4-125	\$784	28
3/4" & 1"	180	922-3-180 & 922-4-180	\$784	28
3/4" & 1"	250	922-3-250 & 922-4-250	\$784	28
1" & 1-1/4"	15	923-4-15 & 923-5-15	\$1,098	45
1" & 1-1/4"	30	923-4-30 & 923-5-30	\$1,098	45
1" & 1-1/4"	60	923-4-60 & 923-5-60	\$1,098	45
1" & 1-1/4"	80	923-4-80 & 923-5-80	\$1,098	45
1" & 1-1/4"	125	923-4-125 & 923-5-125	\$1,098	45
1" & 1-1/4"	180	923-4-180 & 923-5-180	\$1,098	45
1" & 1-1/4"	250	923-4-250 & 923-5-250	\$1,098	45
1-1/4" & 1-1/2" & 2"	15	924-5-15, 924-6-15 & 924-8-15	\$1,504	75
1-1/4" & 1-1/2" & 2"	30	924-5-30, 924-6-30 & 924-8-30	\$1,504	75
1-1/4" & 1-1/2" & 2"	60	924-5-60, 924-6-60 & 924-8-60	\$1,504	75
1-1/4" & 1-1/2" & 2"	100	924-5-100, 924-6-100 & 924-8-100	\$1,504	75
1-1/4" & 1-1/2" & 2"	125	924-5-125, 924-6-125 & 924-8-125	\$1,504	75
1-1/4" & 1-1/2" & 2"	180	924-5-180, 924-6-180 & 924-8-180	\$1,504	75
1-1/4" & 1-1/2" & 2"	225	924-5-225, 924-6-225 & 924-8-225	\$1,504	75
1-1/4" & 1-1/2" & 2"	250	924-5-250, 924-6-250 & 924-8-250	\$1,504	75
2" & 2-1/2"	15	925-8-15 & 925-10-15	\$2,378	135
2" & 2-1/2"	25	925-8-25 & 925-10-25	\$2,378	135
2" & 2-1/2"	40	925-8-40 & 925-10-40	\$2,378	135
2" & 2-1/2"	60	925-8-60 & 925-10-60	\$2,378	135
2" & 2-1/2"	80	925-8-80 & 925-10-80	\$2,378	135
2" & 2-1/2"	125	925-8-125 & 925-10-125	\$2,378	135
2" & 2-1/2"	180	925-8-180 & 925-10-180	\$2,378	135
2" & 2-1/2"	250	925-8-250 & 925-10-250	\$2,378	135

ALL PRICES AND DATA ARE SUBJECT TO CHANGE WITHOUT NOTICE
 Steam Control Products / Parts Price Catalog



Inverted Bucket Steam Trap Parts

Tel (262) 641-3808 · SterlcoSteam.com · Effective: January 1, 2024 · Supersedes: January 1, 2023

INVERTED BUCKET TRAP RENEWAL KITS

DESCRIPTION	PART NUMBER	LIST PRICE
919	162.00169.138.XX	\$147
920	162.00169.139.XX	\$147
921	162.00169.140.XX	\$255
922	162.00169.141.XX	\$336
923	162.00169.142.XX	\$381
924	162.00169.143.XX	\$479
925	162.00169.144.XX	\$729

XX = Maximum Working Pressure i.e. 20, 125 psig
Kit includes valve seat, lever assembly, gasket and valve bolts

ALL PRICES AND DATA ARE SUBJECT TO CHANGE WITHOUT NOTICE
Steam Control Products / Parts Price Catalog